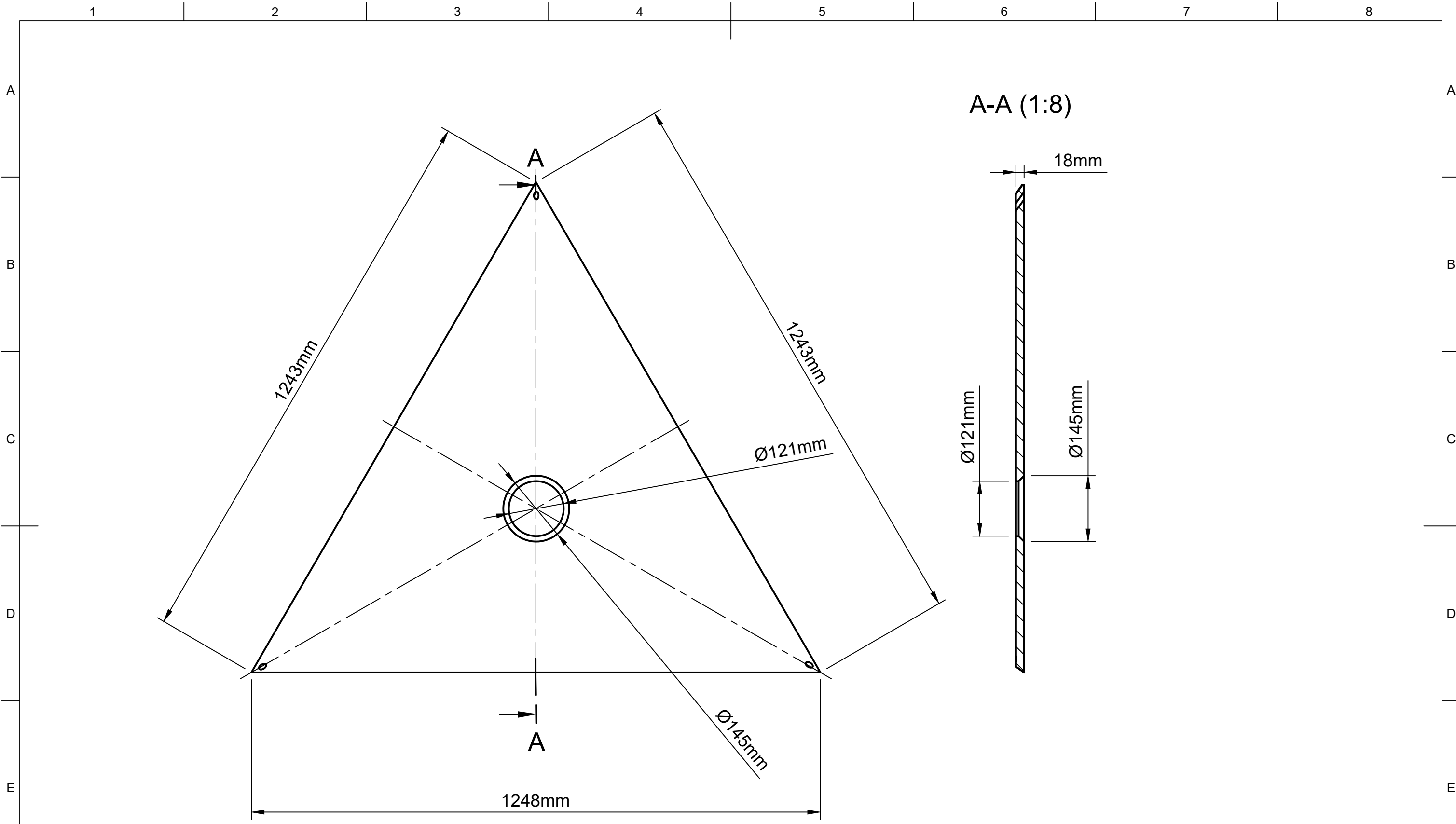
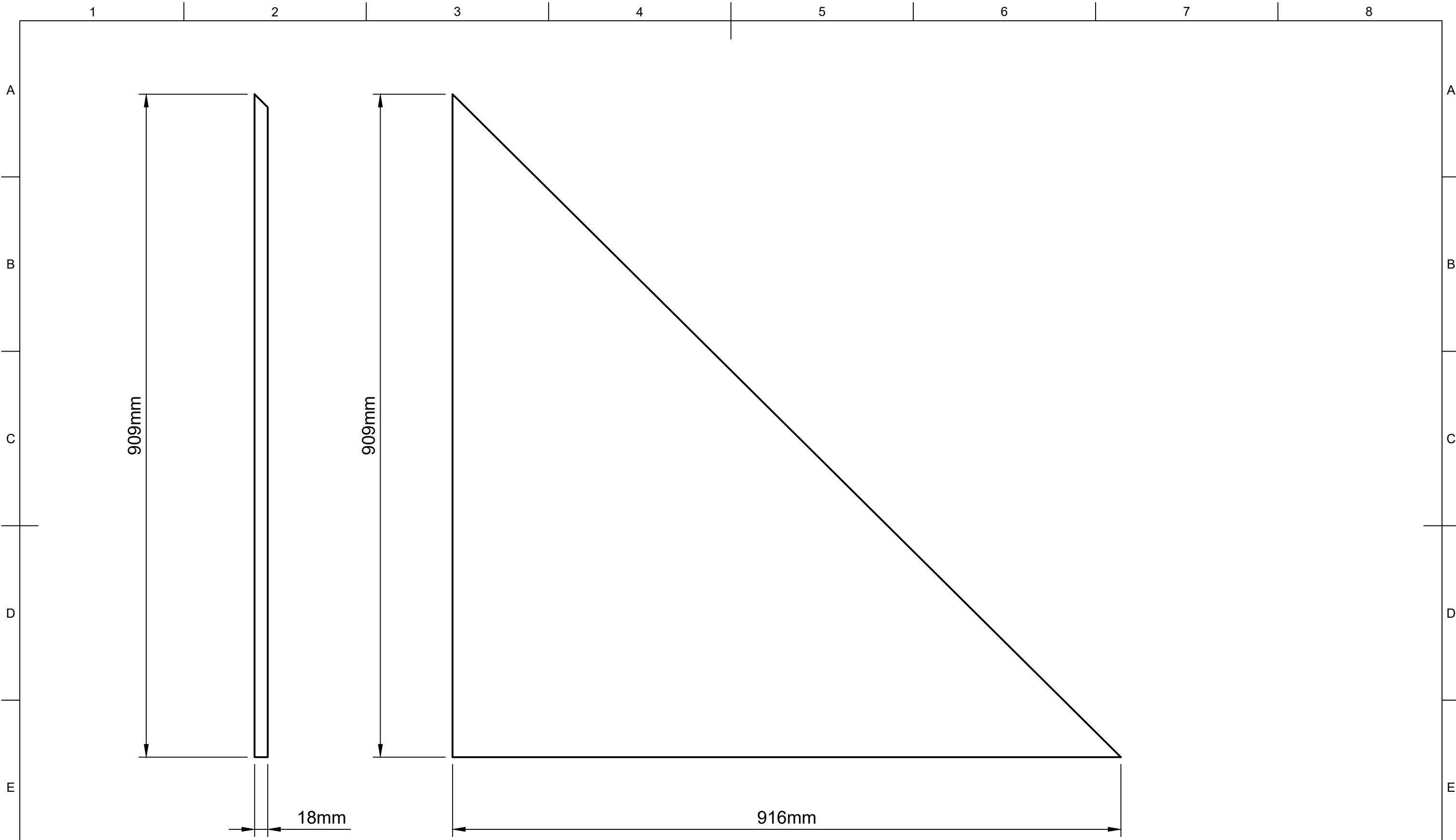


Parts List			
Item	Qty	Part Number	Material
1	1	Microphone	Generic
2	1	Baffle	Plywood, Sheathing
3	1	Mic Setting Jig	MDF Medium Density Fiberboard
4	1	Dowel	Ash
5	1	XLR Cable	Acetal Resin, Black
6	1	Aluminium	
7	1	SEAS H1207-08	
8	1	Acoustic Foam	Polyurethane Foam
9	1	Acoustic Foam (2)	Polyurethane Foam
10	1	Microphone Block	Plywood, Sheathing
11	1	Right Side	MDF Medium Density Fiberboard
12	1	Bottom	MDF Medium Density Fiberboard
13	1	Left Side	MDF Medium Density Fiberboard

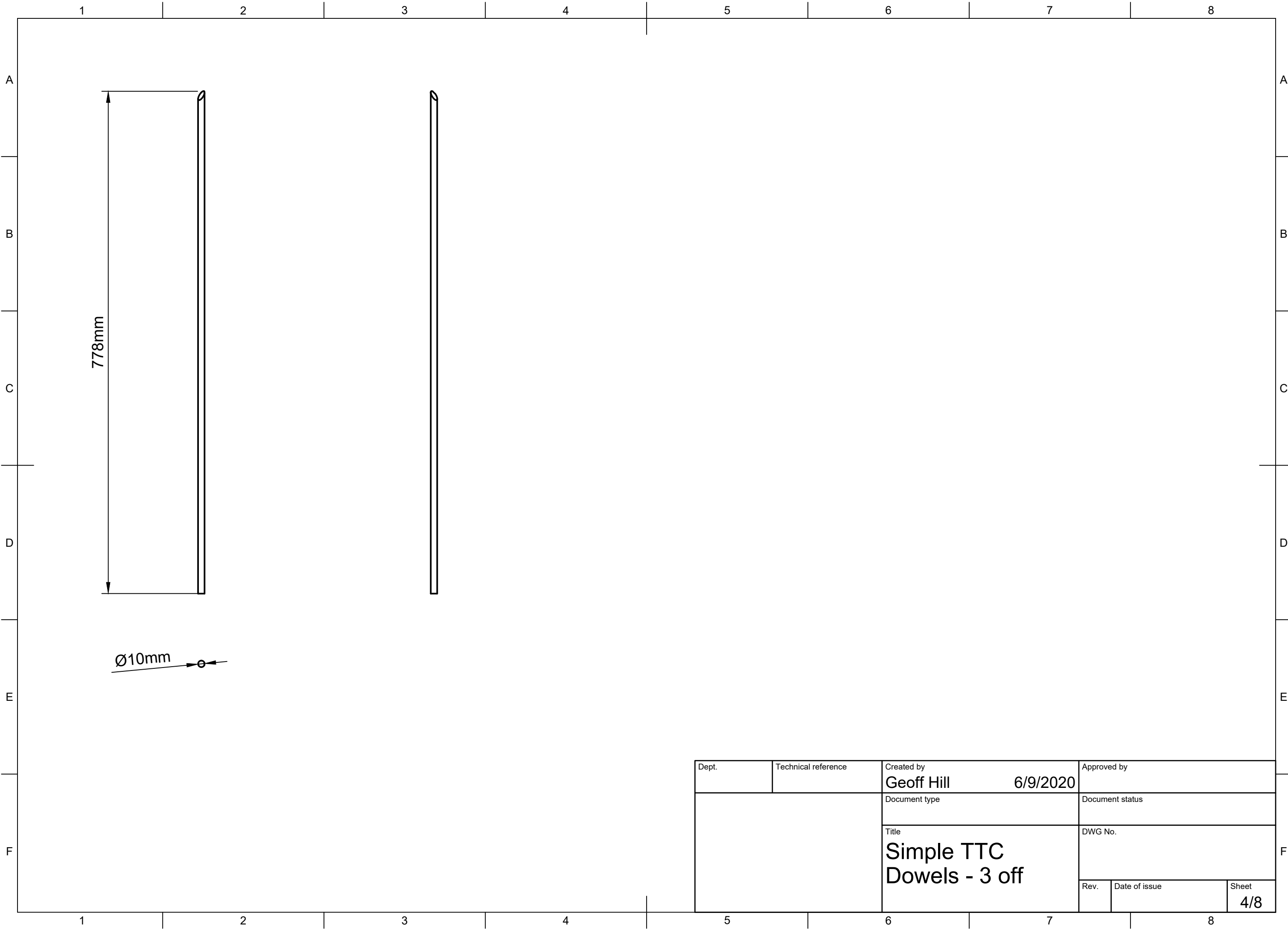
Dept.	Technical reference	Created by Geoff Hill	6/9/2020	Approved by
		Document type	Document status	
		Title Simple TTC Assembly	DWG No.	
		Rev.	Date of issue	Sheet 1/8



Dept.	Technical reference	Created by Geoff Hill	6/9/2020	Approved by
		Document type	Document status	
		Title Simple TTC Baffle	DWG No.	
Rev.	Date of issue	Sheet	2/8	



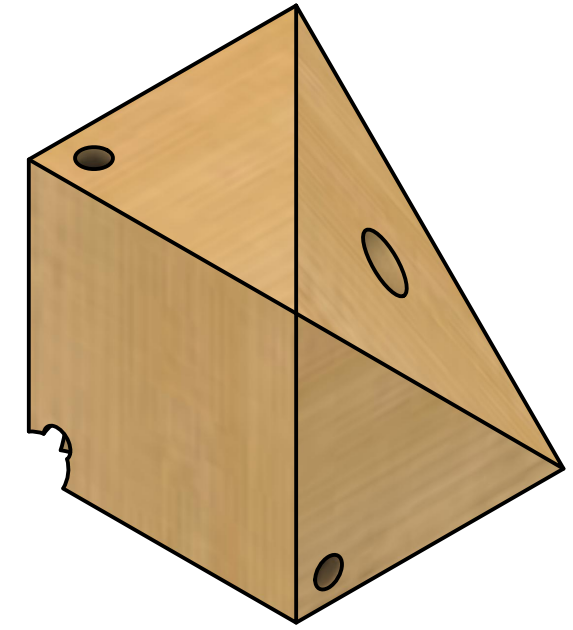
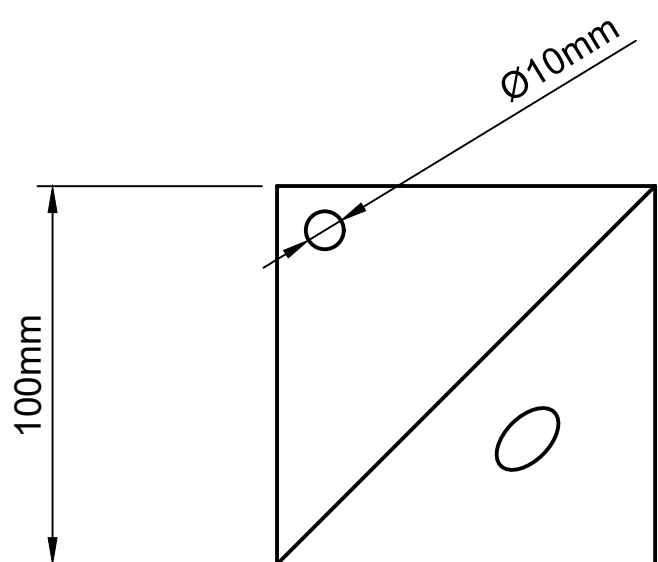
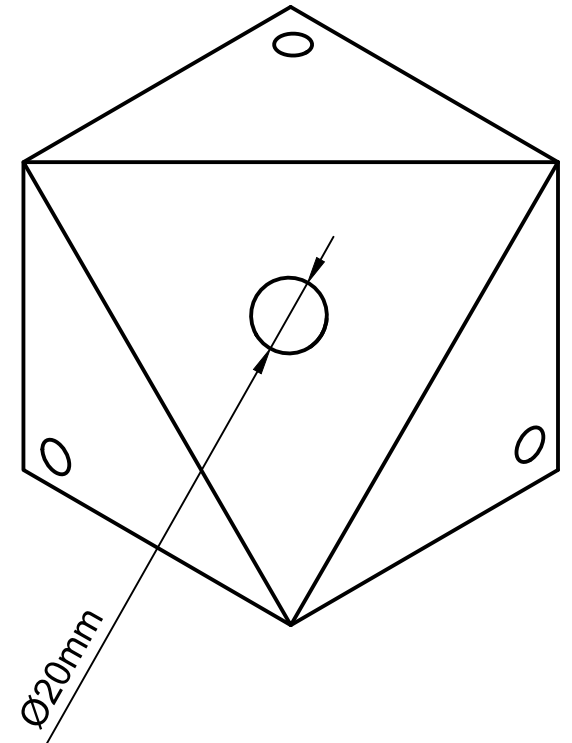
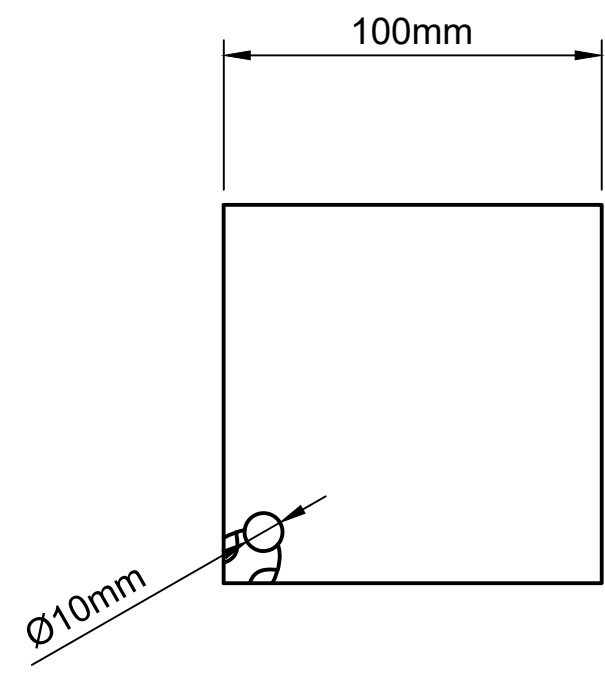
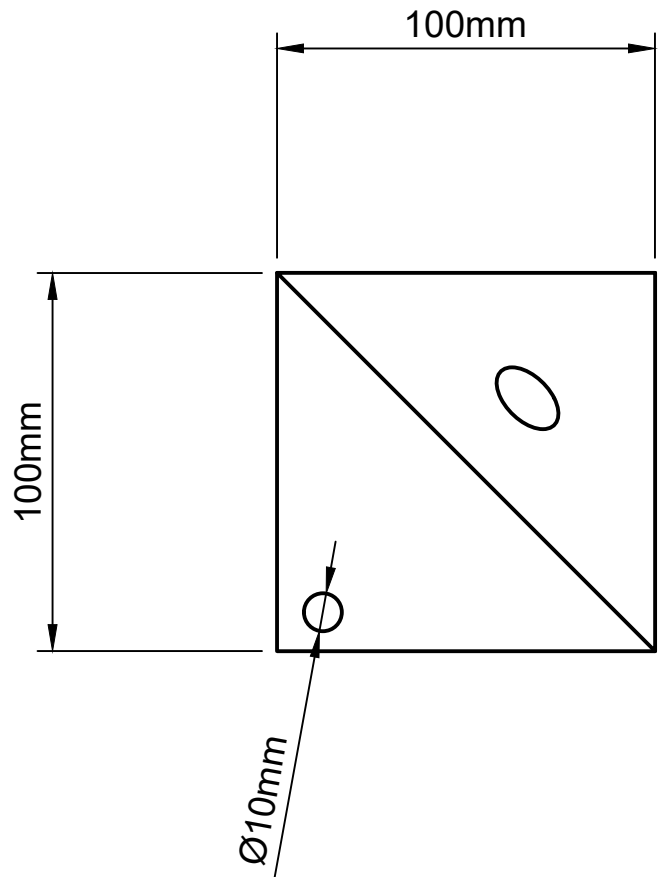
Dept.	Technical reference	Created by Geoff Hill	6/9/2020	Approved by
		Document type	Document status	
		Title Simple TTC Sides or Bottom - 3 off	DWG No.	
Rev.	Date of issue	Sheet 3/8		



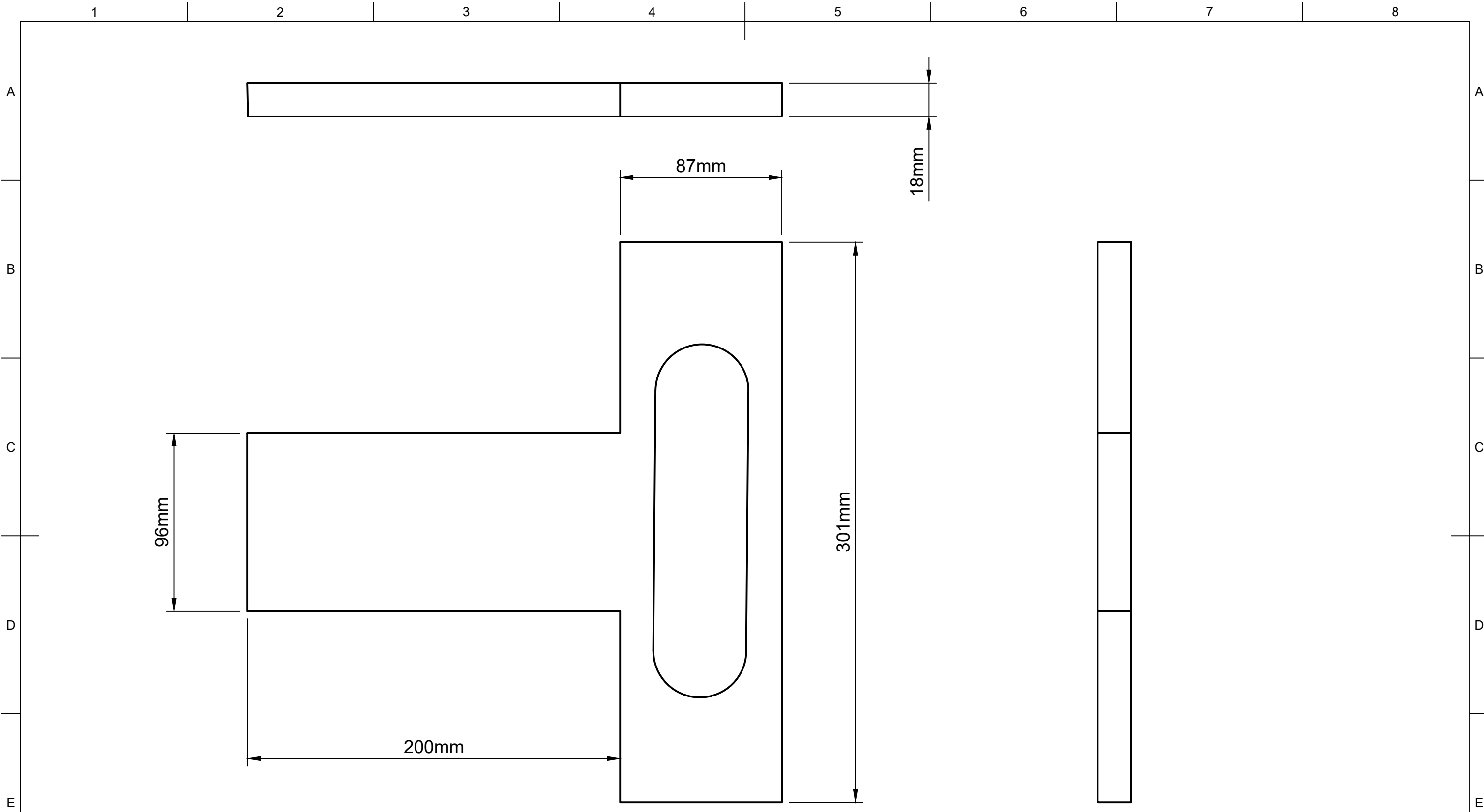
778mm

Ø10mm

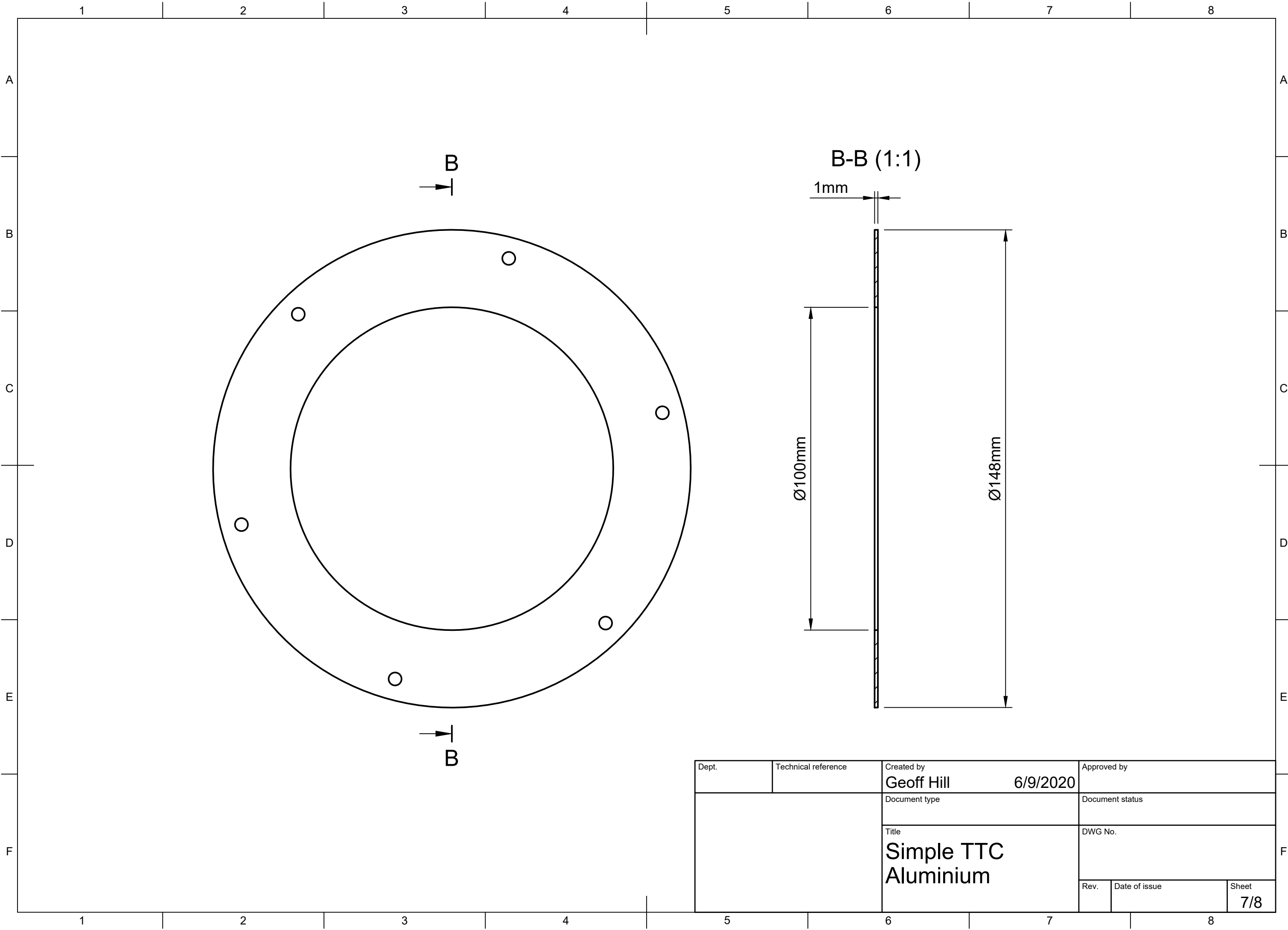
Dept.	Technical reference	Created by Geoff Hill	6/9/2020	Approved by
		Document type	Document status	
		Title Simple TTC Dowels - 3 off	DWG No.	
Rev.	Date of issue	Sheet		4/8



Dept.	Technical reference	Created by Geoff Hill	6/9/2020	Approved by
		Document type	Document status	
		Title Simple TTC Microphone Block	DWG No.	
		Rev.	Date of issue	Sheet 5/8



Dept.	Technical reference	Created by Geoff Hill	6/9/2020	Approved by
		Document type	Document status	
		Title Simple TTC Mic Jig	DWG No.	
Rev.	Date of issue		Sheet 6/8	



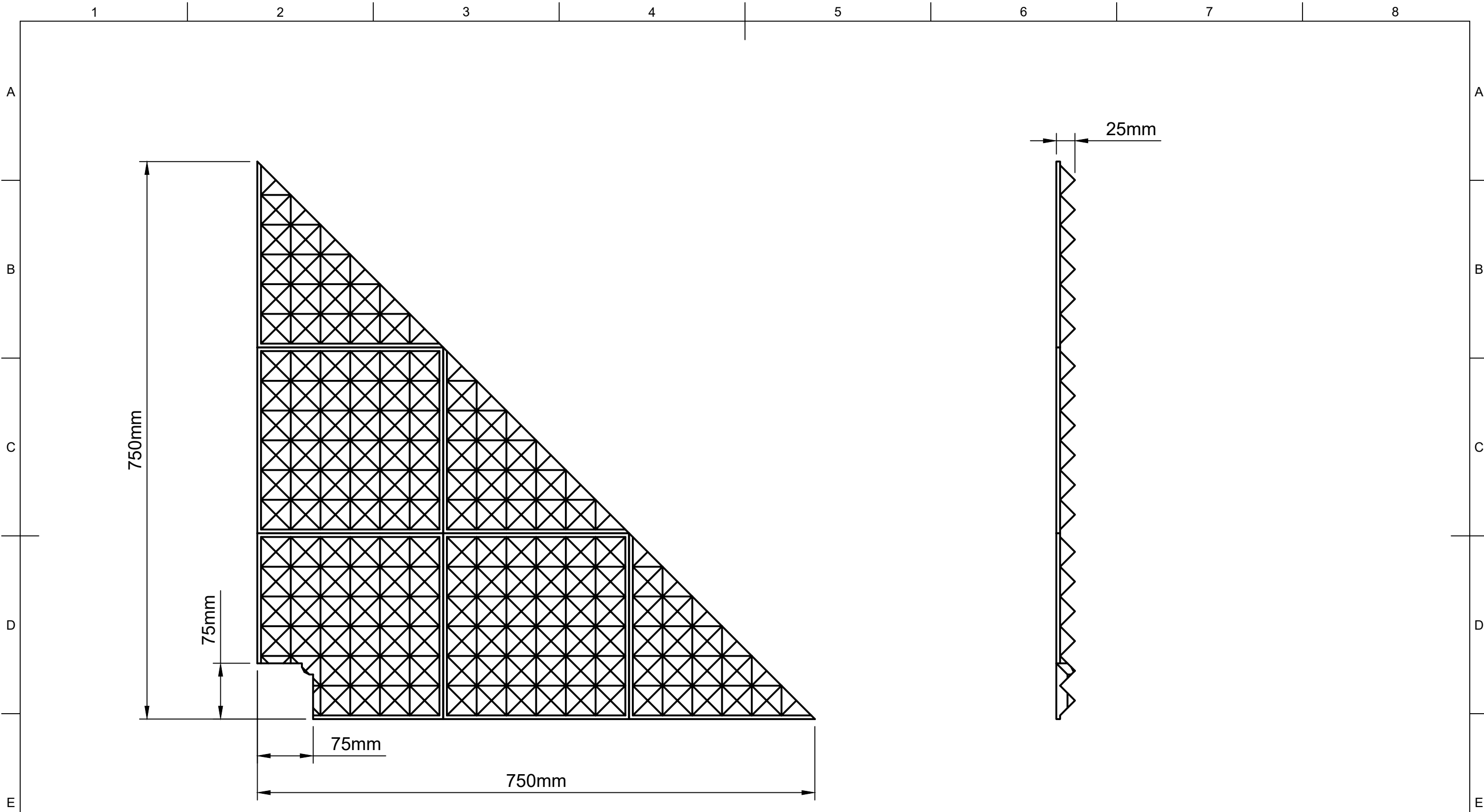
B-B (1:1)

1mm

Ø100mm

Ø148mm

Dept.	Technical reference	Created by Geoff Hill	6/9/2020	Approved by
		Document type	Document status	
		Title Simple TTC Aluminium	DWG No.	
Rev.	Date of issue	Sheet		7/8



Dept.	Technical reference	Created by Geoff Hill	6/9/2020	Approved by
		Document type	Document status	
		Title Simple TTC Acoustic Foam	DWG No.	
Rev.	Date of issue		Sheet 8/8	