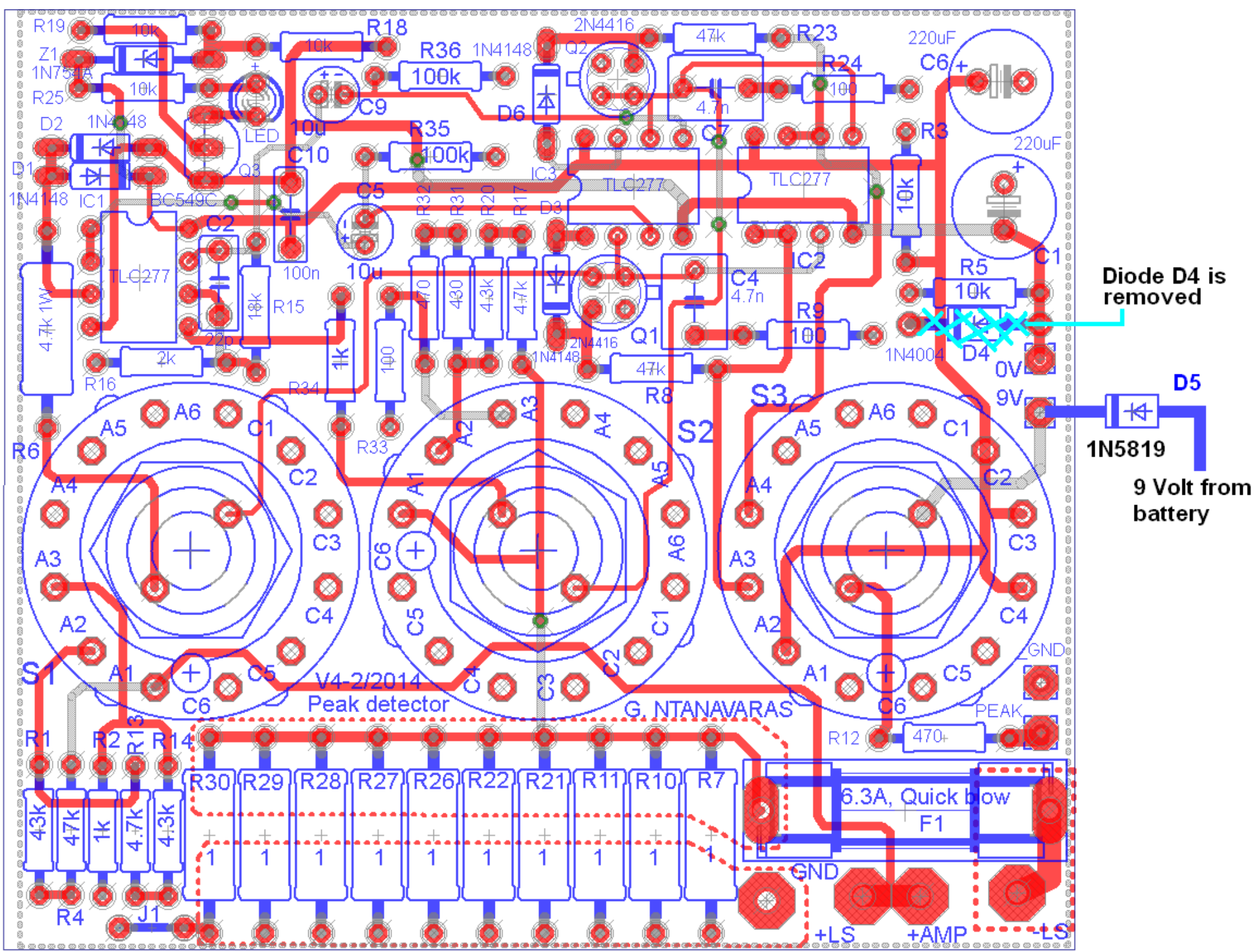


Note: R37 is soldered on the bottom of PCB. See photo 4 of the article

9V
I bat=5mA
1N5819
D5
9V from battery
I led=0.7 mA
V led=1.6V
LED
Q3 BC549C
R18 10k
R19 10k
R25 10k
Z1 1N754A 6.8V
0V
Led off when Vbat<7.3V



Diode D4 is removed

9 Volt from battery

Peak detector

G. NTANAVARAS

6.3A, Quick blow
F1

